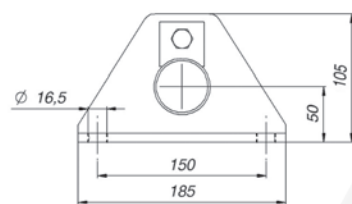
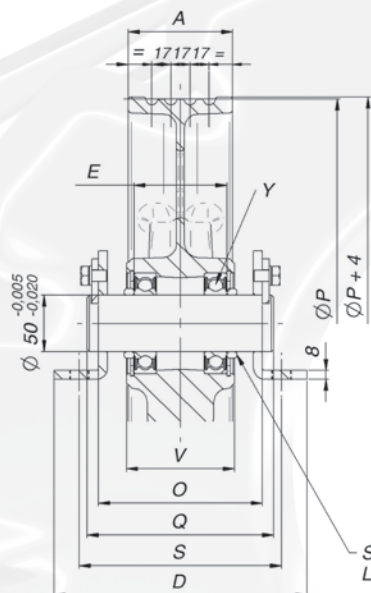




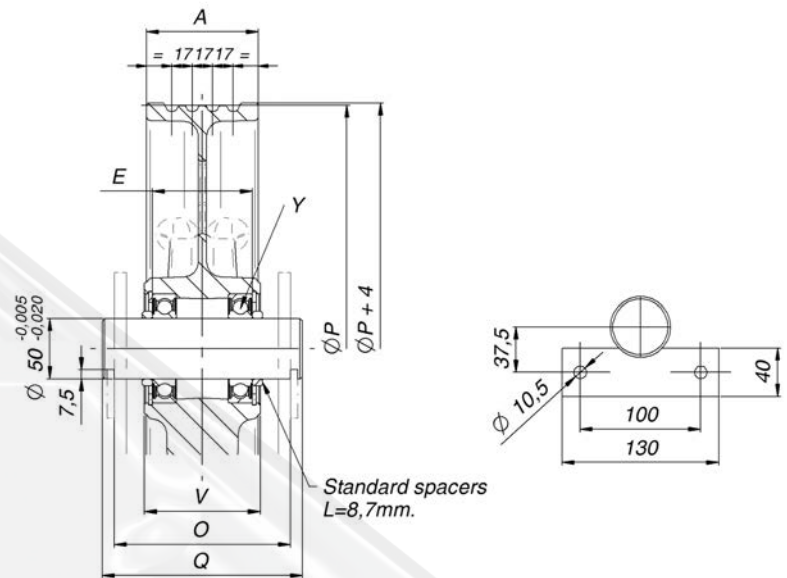
PULEGGE DI RINVIO COMPLETE DI SUPPORTI
DIVERTOR PULLEYS WITH SUPPORTS
POULIES DE RENVOIS AVEC DE PALIER EXTERIEURS
SEILROLLEN MIT ACHSE UND LAGERBOECKEN
POLEAS DE DESVIO CON SOPORTES



| ARTICOLO ITEM ARTICLE ARTIKEL ARTICULO | P | S | D | O | GOLE GROOVES GORGES RILLEN RANURAS | Ø FUNE Ø ROPE Ø CABLE Ø SEILEN Ø CABLE | A | E | V | Q | Y | CARICO MAX MAX. LOAD CHARGE MAX HÖCHSTLAST CARGA MAX |
|--|-----|-----|-----|-----|--|--|----|----|-----|------|------|--|
| | mm | mm | mm | mm | | mm | mm | mm | mm | mm | ISO | daN (Kg) |
| T040150000 | 280 | 155 | 200 | 120 | 3 | 8 | 60 | 84 | 98 | 140 | 6010 | 1700 |
| T040151000 | 300 | 155 | 200 | 120 | 3 | | 60 | 84 | 98 | 140 | | 2000 |
| T040152000 | 320 | 155 | 200 | 120 | 3 | 8 | 60 | 84 | 98 | 140 | 6010 | 1700 |
| T040153000 | | 155 | 200 | 120 | 4 | | 77 | 84 | 98 | 140 | 6210 | 2000 |
| T040154000 | 360 | 155 | 200 | 120 | 3 | 9 | 60 | 84 | 98 | 140 | 6010 | 1680 |
| T040155000 | | 155 | 200 | 120 | 4 | | 77 | 84 | 98 | 140 | | 2100 |
| T040156000 | 400 | 155 | 200 | 120 | 3 | 10 | 60 | 84 | 98 | 140 | 6210 | 1950 |
| T040174000 | | 180 | 225 | 146 | | | 93 | 83 | 96 | 166 | | 2100 |
| T040157000 | | 155 | 200 | 120 | 4 | | 77 | 84 | 98 | 140 | | 2100 |
| T040175000 | | 180 | 225 | 146 | | | 93 | 83 | 96 | 166 | | 2100 |
| T040176000 | 450 | 180 | 225 | 146 | 5 | 93 | 83 | 96 | 166 | 2100 | | |
| T040158000 | | 155 | 200 | 120 | 3 | 11 | 60 | 84 | 98 | 140 | 6210 | 2000 |
| T040159000 | | 155 | 200 | 120 | 4 | | 77 | 84 | 98 | 140 | 2200 | |
| T040160000 | 500 | 155 | 200 | 120 | 3 | 12 | 60 | 84 | 98 | 140 | 6210 | 2150 |
| T040161000 | | 155 | 200 | 120 | 4 | | 77 | 84 | 98 | 140 | 2300 | |
| T040172000 | 520 | 155 | 200 | 120 | 3 | 12 | 77 | 84 | 98 | 140 | 6210 | 2300 |
| T040173000 | | 155 | 200 | 120 | 4 | | 84 | 98 | 140 | | | |
| T040162000 | 550 | 155 | 200 | 120 | 3 | 11 | 60 | 84 | 98 | 140 | 6210 | 2200 |
| T040163000 | | 155 | 200 | 120 | 4 | | 77 | 84 | 98 | 140 | | 2400 |
| T040164000 | 600 | 155 | 200 | 120 | 3 | 11 | 60 | 84 | 98 | 140 | 6210 | 2200 |
| T040165000 | | 155 | 200 | 120 | 4 | | 77 | 84 | 98 | 140 | | 2500 |
| T040166000 | 650 | 155 | 200 | 120 | 3 | 11 | 60 | 84 | 98 | 140 | 6210 | 2300 |
| T040167000 | | 155 | 200 | 120 | 4 | | 77 | 84 | 98 | 140 | | 2500 |
| T040168000 | 700 | 155 | 200 | 120 | 3 | 11 | 60 | 84 | 98 | 140 | 6210 | 2300 |
| T040169000 | | 155 | 200 | 120 | 4 | | 77 | 84 | 98 | 140 | | 2500 |
| T040170000 | 750 | 155 | 200 | 120 | 3 | 11 | 60 | 84 | 98 | 140 | 6210 | 2300 |
| T040171000 | | 155 | 200 | 120 | 4 | | 77 | 84 | 98 | 140 | | 2500 |



PULEGGE DI RINVIO CON ALBERI PER PIASTRE
DIVERTOR PULLEYS WITH SHAFT FOR KEEPER PLATES
POULIES DE RENVOIS AVEC ARBRE POUR PLAQUES
SEILROLLEN MIT ACHSE UND LAGERBOECKEN MIT WELLE FÜR PLATTEN
POLEAS DE DESVIO CON EJE PARA PLACAS



| ARTICOLO ITEM ARTICLE ARTIKEL ARTÍCULO | P | O | GOLE GROOVES GORGES RILLEN RANURAS | Ø FUNE Ø ROPE Ø CABLE Ø SEILEN Ø CABLE | A | E | V | Q | Y | CARICO MAX MAX. LOAD CHARGE MAX HÖCHSTLAST CARGA MAX |
|--|-----|-----|--|--|----|----|----|-----|------|--|
| | mm | mm | | mm | mm | mm | mm | mm | ISO | daN (Kg) |
| T050085000 | 280 | 120 | 3 | 8 | 60 | 84 | 98 | 140 | 6010 | 1700 |
| T050086000 | 300 | 120 | 3 | | 60 | 84 | 98 | 140 | | 2000 |
| T050087000 | 320 | 120 | 3 | 8 | 60 | 84 | 98 | 140 | 6010 | 1700 |
| T050088000 | | 120 | 4 | | 77 | 84 | 98 | 140 | 6210 | 2000 |
| T050089000 | 360 | 120 | 3 | 9 | 60 | 84 | 98 | 140 | 6010 | 1680 |
| T050090000 | | 120 | 4 | | 77 | 84 | 98 | 140 | | 2100 |
| T050091000 | 400 | 120 | 3 | 10 | 60 | 84 | 98 | 140 | 6210 | 1950 |
| T050109000 | | 146 | | | 93 | 83 | 96 | 166 | | 2100 |
| T050092000 | | 120 | 4 | | 77 | 84 | 98 | 140 | | 2100 |
| T050110000 | | 146 | | | 93 | 83 | 96 | 166 | | 2100 |
| T050111000 | | 146 | 5 | | 93 | 83 | 96 | 166 | | 2100 |
| T050093000 | 450 | 120 | 3 | 11 | 60 | 84 | 98 | 140 | 6210 | 2000 |
| T050094000 | | 120 | 4 | | 77 | 84 | 98 | 140 | | 2200 |
| T050095000 | 500 | 120 | 3 | 12 | 60 | 84 | 98 | 140 | 6210 | 2150 |
| T050096000 | | 120 | 4 | | 77 | 84 | 98 | 140 | | 2300 |
| T050107000 | 520 | 120 | 3 | 12 | 77 | 84 | 98 | 140 | 6210 | 2300 |
| T050108000 | | 120 | 4 | | 77 | 84 | 98 | 140 | | 2300 |
| T050097000 | 550 | 120 | 3 | 11 | 60 | 84 | 98 | 140 | 6210 | 2200 |
| T050098000 | | 120 | 4 | | 77 | 84 | 98 | 140 | | 2400 |
| T050099000 | 600 | 120 | 3 | 11 | 60 | 84 | 98 | 140 | 6210 | 2200 |
| T050100000 | | 120 | 4 | | 77 | 84 | 98 | 140 | | 2500 |
| T050101000 | 650 | 120 | 3 | 11 | 60 | 84 | 98 | 140 | 6210 | 2300 |
| T050102000 | | 120 | 4 | | 77 | 84 | 98 | 140 | | 2500 |
| T050103000 | 700 | 120 | 3 | 11 | 60 | 84 | 98 | 140 | 6210 | 2300 |
| T050104000 | | 120 | 4 | | 77 | 84 | 98 | 140 | | 2500 |
| T050105000 | 750 | 120 | 3 | 11 | 60 | 84 | 98 | 140 | 6210 | 2300 |
| T050106000 | | 120 | 4 | | 77 | 84 | 98 | 140 | | 2500 |